

75R1-1	RUDDER BOTTOM RIB #1
75R1-2	RUDDER REAR RIB #2
75R1-3	RUDDER REAR RIB #3
75R1-4	RUDDER REAR RIB #4
75R1-5	RUDDER TIP
75R1-6	RUDDER NOSE RIB
75R1-7	BENT STRIP
75R1-8	SPAR DOUBLER
75R2-1	UPPER RUDDER BUSHING
75R2-2	LOWER RUDDER BUSHING
75R2-3	RUDDER SPAR
75R2-4	RUDDER HORN
75R2-5	UPPER RUDDER HINGE ANGLES
75R2-6	RUDDER REAR SKIN
75R2-7	RUDDER NOSE SKIN
75R2-8	UPPER SPAR FAIRING
75R2-9	LOWER SPAR FAIRING

STOL
CH 750

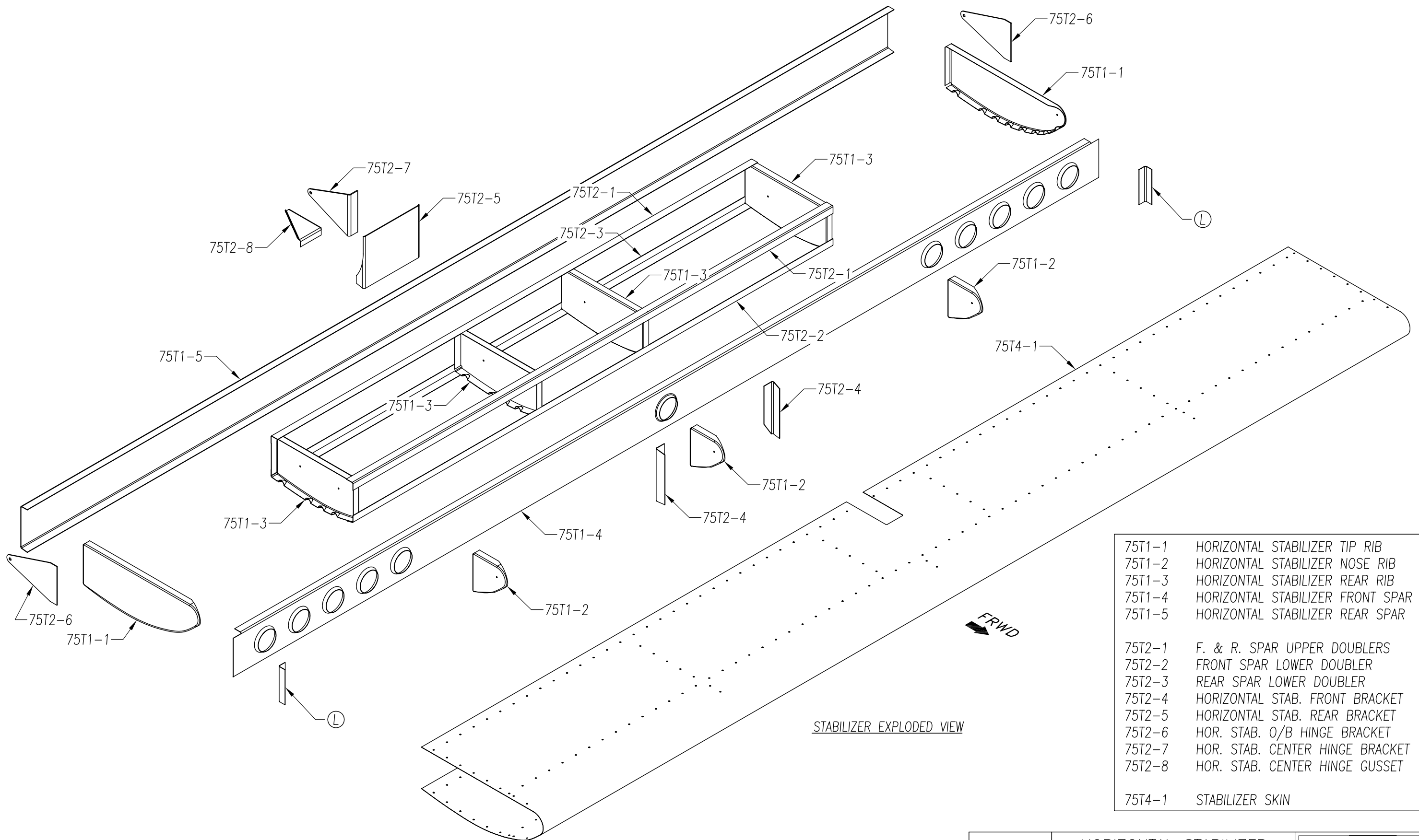
RUDDER
EXPLODED VIEW

75-RX-1

copyright © 2008 CHRIS HEINTZ

zenithair.com

DATE: 05/09



STABILIZER EXPLODED VIEW

75T1-1	HORIZONTAL STABILIZER TIP RIB
75T1-2	HORIZONTAL STABILIZER NOSE RIB
75T1-3	HORIZONTAL STABILIZER REAR RIB
75T1-4	HORIZONTAL STABILIZER FRONT SPAR
75T1-5	HORIZONTAL STABILIZER REAR SPAR
75T2-1	F. & R. SPAR UPPER DOUBLERS
75T2-2	FRONT SPAR LOWER DOUBLER
75T2-3	REAR SPAR LOWER DOUBLER
75T2-4	HORIZONTAL STAB. FRONT BRACKET
75T2-5	HORIZONTAL STAB. REAR BRACKET
75T2-6	HOR. STAB. O/B HINGE BRACKET
75T2-7	HOR. STAB. CENTER HINGE BRACKET
75T2-8	HOR. STAB. CENTER HINGE GUSSET
75T4-1	STABILIZER SKIN

STOL
CH 750

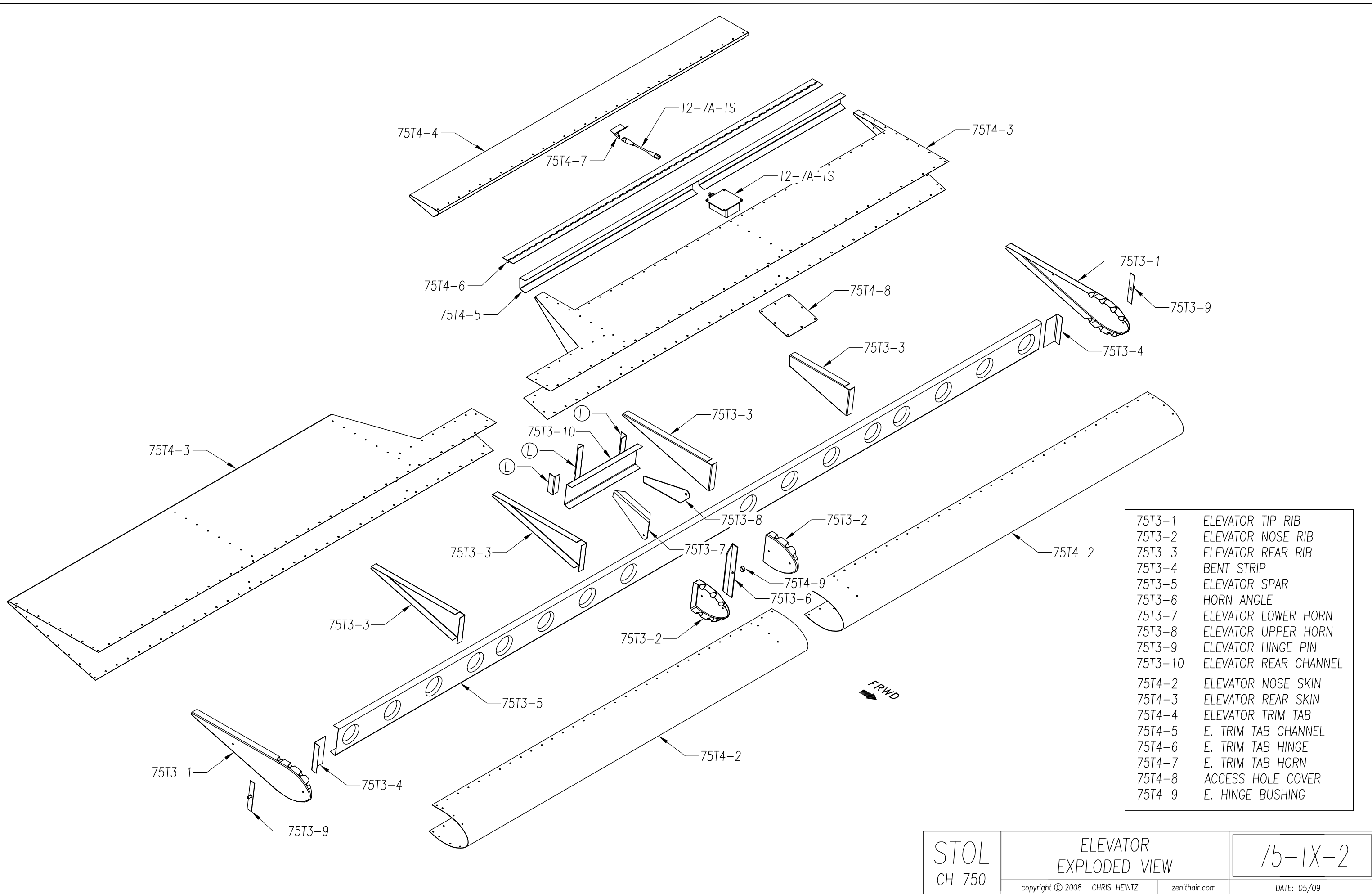
HORIZONTAL STABILIZER
EXPLODED VIEW

75-TX-1

copyright © 2008 CHRIS HEINTZ

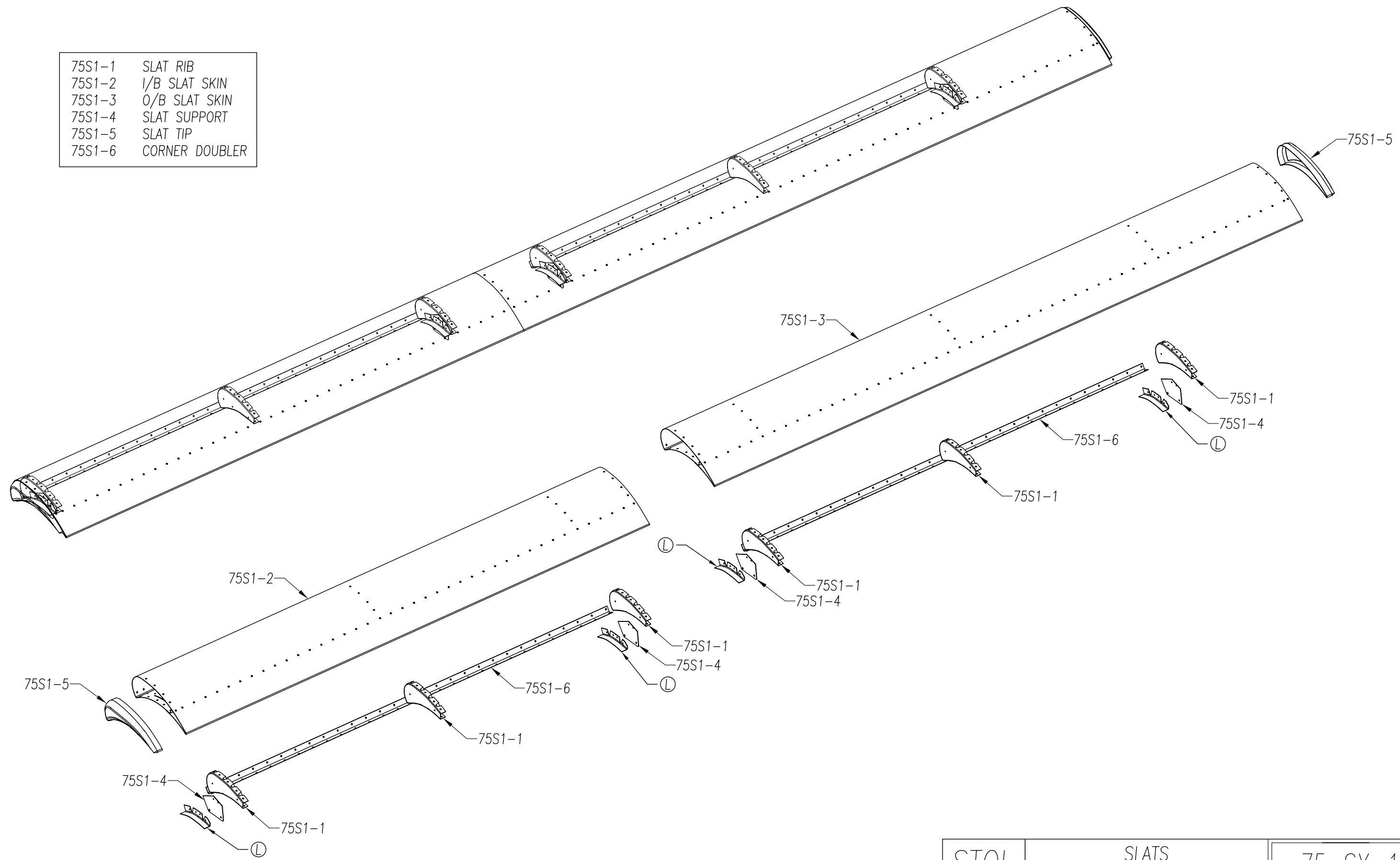
zenithair.com

DATE: 05/09

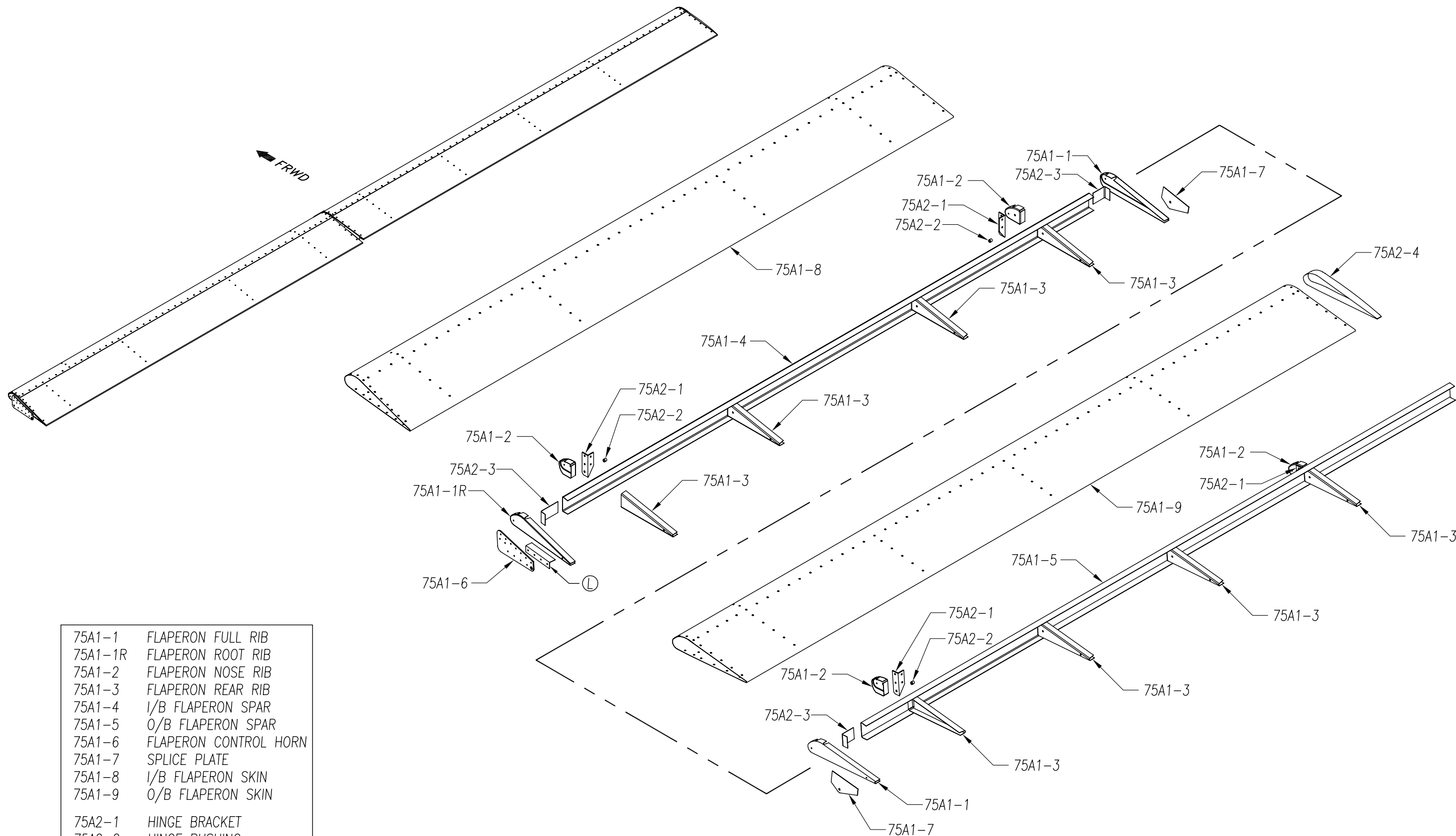


- 75T3-1 ELEVATOR TIP RIB
- 75T3-2 ELEVATOR NOSE RIB
- 75T3-3 ELEVATOR REAR RIB
- 75T3-4 BENT STRIP
- 75T3-5 ELEVATOR SPAR
- 75T3-6 HORN ANGLE
- 75T3-7 ELEVATOR LOWER HORN
- 75T3-8 ELEVATOR UPPER HORN
- 75T3-9 ELEVATOR HINGE PIN
- 75T3-10 ELEVATOR REAR CHANNEL
- 75T4-2 ELEVATOR NOSE SKIN
- 75T4-3 ELEVATOR REAR SKIN
- 75T4-4 ELEVATOR TRIM TAB
- 75T4-5 E. TRIM TAB CHANNEL
- 75T4-6 E. TRIM TAB HINGE
- 75T4-7 E. TRIM TAB HORN
- 75T4-8 ACCESS HOLE COVER
- 75T4-9 E. HINGE BUSHING

- 75S1-1 SLAT RIB
- 75S1-2 I/B SLAT SKIN
- 75S1-3 O/B SLAT SKIN
- 75S1-4 SLAT SUPPORT
- 75S1-5 SLAT TIP
- 75S1-6 CORNER DOUBLER



STOL CH 750	SLATS EXPLODED VIEW	75-SX-1
copyright © 2008 CHRIS HEINTZ		zenithair.com
DATE: 06/09		



- | | |
|---------|-----------------------|
| 75A1-1 | FLAPERON FULL RIB |
| 75A1-1R | FLAPERON ROOT RIB |
| 75A1-2 | FLAPERON NOSE RIB |
| 75A1-3 | FLAPERON REAR RIB |
| 75A1-4 | I/B FLAPERON SPAR |
| 75A1-5 | O/B FLAPERON SPAR |
| 75A1-6 | FLAPERON CONTROL HORN |
| 75A1-7 | SPLICE PLATE |
| 75A1-8 | I/B FLAPERON SKIN |
| 75A1-9 | O/B FLAPERON SKIN |
| 75A2-1 | HINGE BRACKET |
| 75A2-2 | HINGE BUSHING |
| 75A2-3 | FLAPERON RIB ANGLE |
| 75A2-4 | FLAPERON TIP |

STOL
CH 750

FLAPERON
EXPLODED VIEW

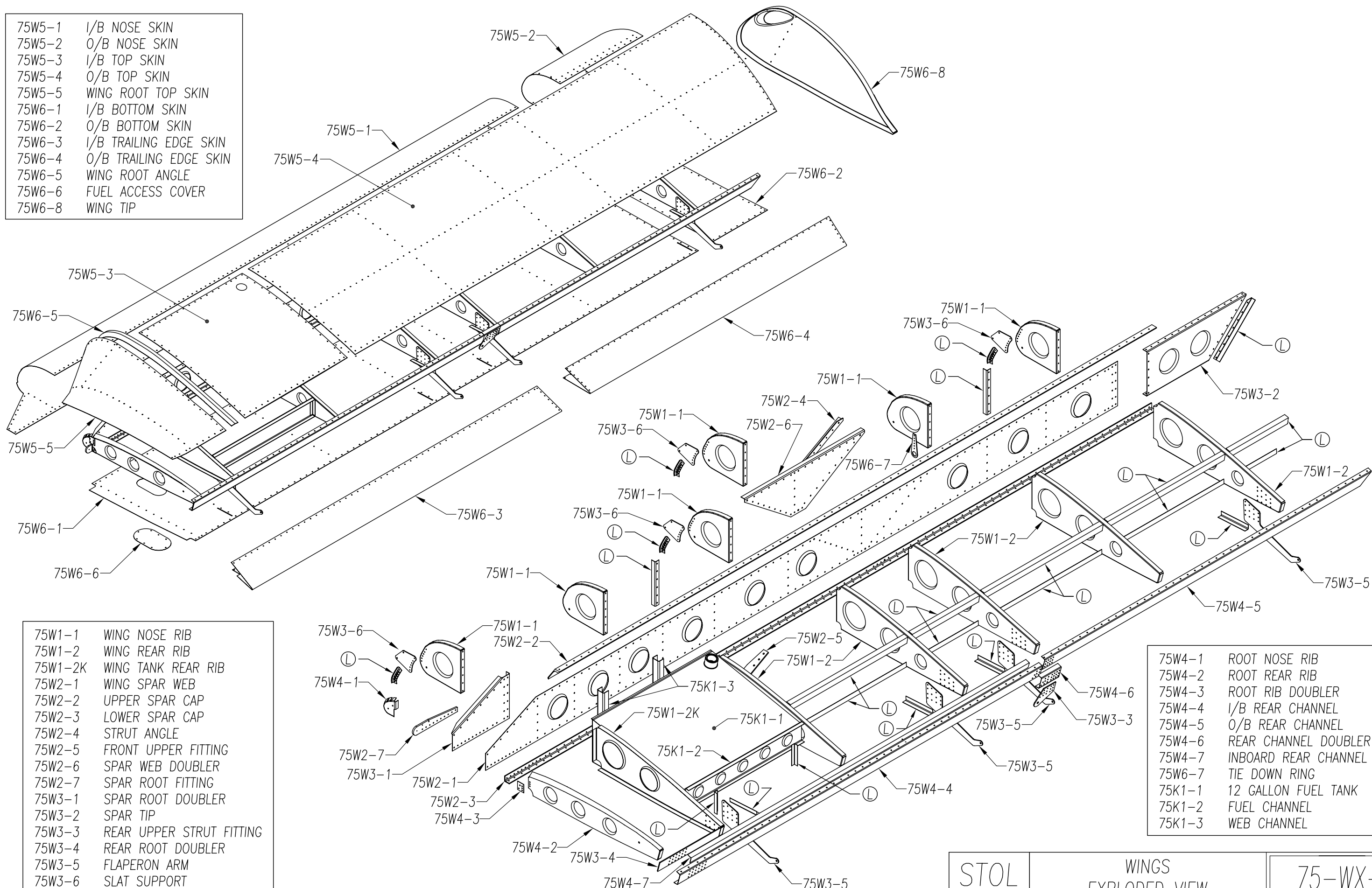
75-AX-1

copyright © 2008 CHRIS HEINTZ

zenithair.com

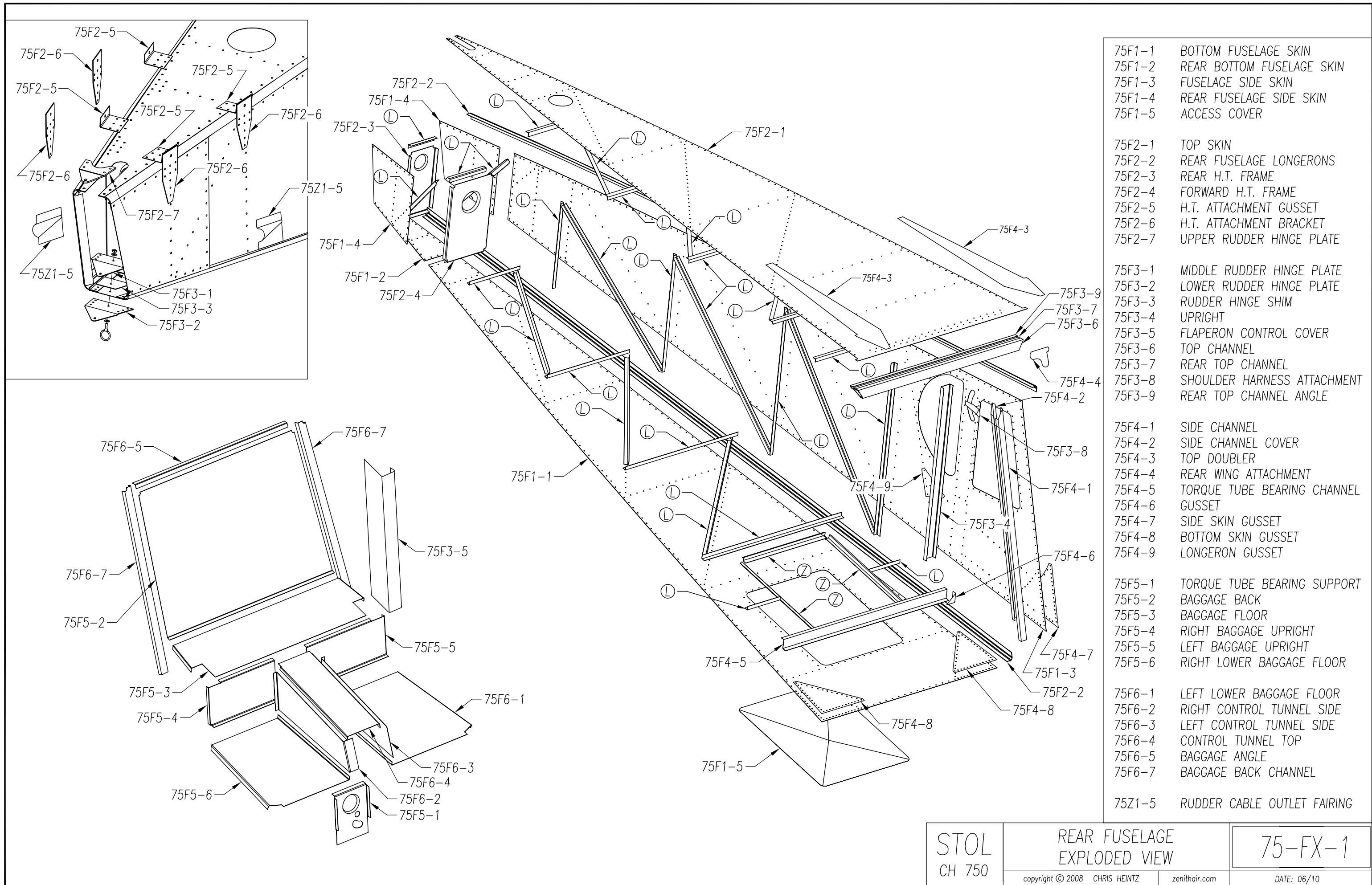
DATE: 06/09

- 75W5-1 I/B NOSE SKIN
- 75W5-2 O/B NOSE SKIN
- 75W5-3 I/B TOP SKIN
- 75W5-4 O/B TOP SKIN
- 75W5-5 WING ROOT TOP SKIN
- 75W6-1 I/B BOTTOM SKIN
- 75W6-2 O/B BOTTOM SKIN
- 75W6-3 I/B TRAILING EDGE SKIN
- 75W6-4 O/B TRAILING EDGE SKIN
- 75W6-5 WING ROOT ANGLE
- 75W6-6 FUEL ACCESS COVER
- 75W6-8 WING TIP



- 75W1-1 WING NOSE RIB
- 75W1-2 WING REAR RIB
- 75W1-2K WING TANK REAR RIB
- 75W2-1 WING SPAR WEB
- 75W2-2 UPPER SPAR CAP
- 75W2-3 LOWER SPAR CAP
- 75W2-4 STRUT ANGLE
- 75W2-5 FRONT UPPER FITTING
- 75W2-6 SPAR WEB DOUBLER
- 75W2-7 SPAR ROOT FITTING
- 75W3-1 SPAR ROOT DOUBLER
- 75W3-2 SPAR TIP
- 75W3-3 REAR UPPER STRUT FITTING
- 75W3-4 REAR ROOT DOUBLER
- 75W3-5 FLAPERON ARM
- 75W3-6 SLAT SUPPORT

- 75W4-1 ROOT NOSE RIB
- 75W4-2 ROOT REAR RIB
- 75W4-3 ROOT RIB DOUBLER
- 75W4-4 I/B REAR CHANNEL
- 75W4-5 O/B REAR CHANNEL
- 75W4-6 REAR CHANNEL DOUBLER
- 75W4-7 INBOARD REAR CHANNEL ANGLE
- 75W6-7 TIE DOWN RING
- 75K1-1 12 GALLON FUEL TANK
- 75K1-2 FUEL CHANNEL
- 75K1-3 WEB CHANNEL



- 75F1-1 BOTTOM FUSELAGE SKIN
- 75F1-2 REAR BOTTOM FUSELAGE SKIN
- 75F1-3 FUSELAGE SIDE SKIN
- 75F1-4 REAR FUSELAGE SIDE SKIN
- 75F1-5 ACCESS COVER

- 75F2-1 TOP SKIN
- 75F2-2 REAR FUSELAGE LONGERONS
- 75F2-3 REAR H.T. FRAME
- 75F2-4 FORWARD H.T. FRAME
- 75F2-5 H.T. ATTACHMENT GUSSET
- 75F2-6 H.T. ATTACHMENT BRACKET
- 75F2-7 UPPER RUDDER HINGE PLATE

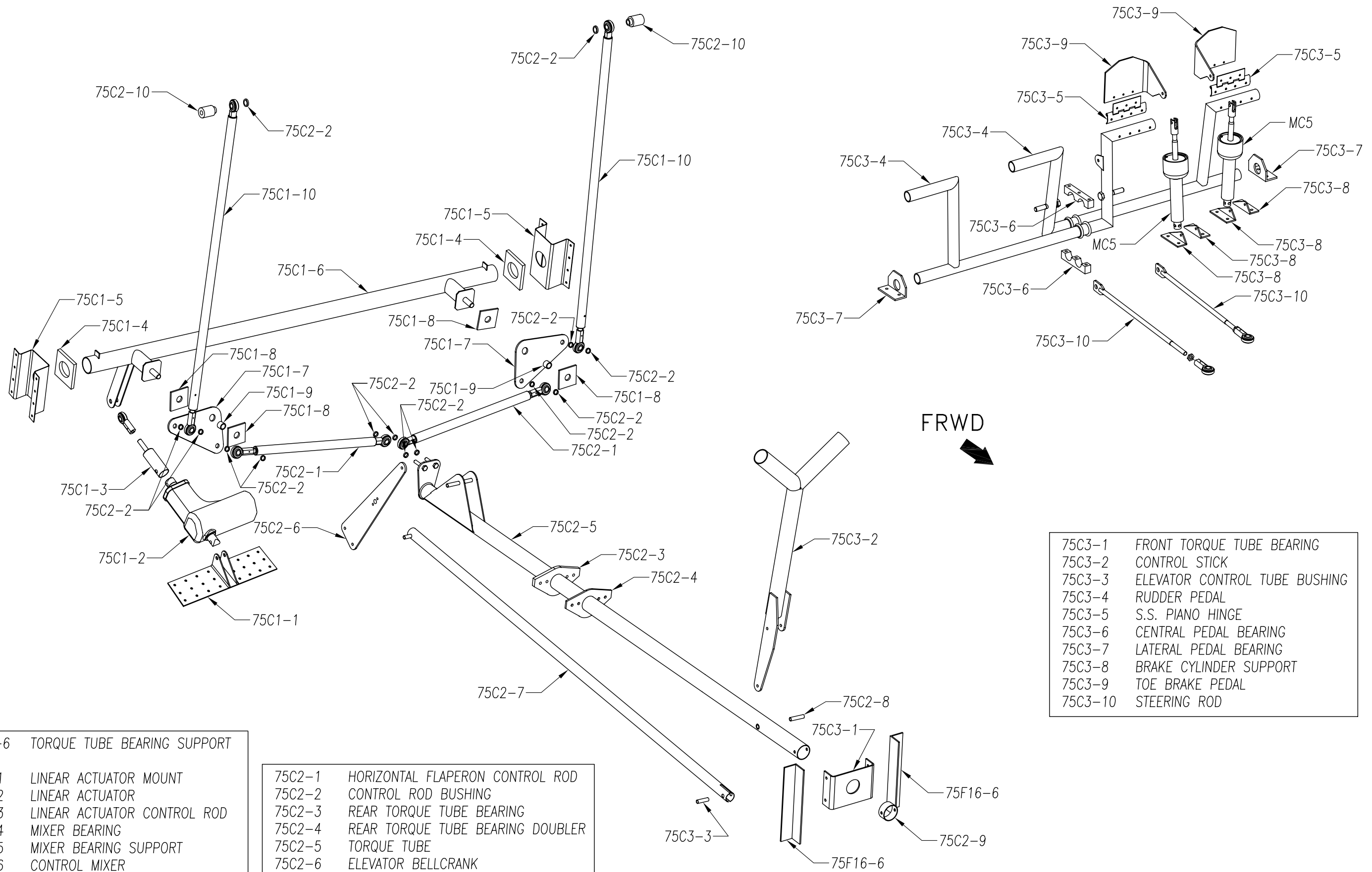
- 75F3-1 MIDDLE RUDDER HINGE PLATE
- 75F3-2 LOWER RUDDER HINGE PLATE
- 75F3-3 RUDDER HINGE SHIM
- 75F3-4 UPRIGHT
- 75F3-5 FLAPERON CONTROL COVER
- 75F3-6 TOP CHANNEL
- 75F3-7 REAR TOP CHANNEL
- 75F3-8 SHOULDER HARNESS ATTACHMENT
- 75F3-9 REAR TOP CHANNEL ANGLE

- 75F4-1 SIDE CHANNEL
- 75F4-2 SIDE CHANNEL COVER
- 75F4-3 TOP DOUBLER
- 75F4-4 REAR WING ATTACHMENT
- 75F4-5 TORQUE TUBE BEARING CHANNEL
- 75F4-6 GUSSET
- 75F4-7 SIDE SKIN GUSSET
- 75F4-8 BOTTOM SKIN GUSSET
- 75F4-9 LONGERON GUSSET

- 75F5-1 TORQUE TUBE BEARING SUPPORT
- 75F5-2 BAGGAGE BACK
- 75F5-3 BAGGAGE FLOOR
- 75F5-4 RIGHT BAGGAGE UPRIGHT
- 75F5-5 LEFT BAGGAGE UPRIGHT
- 75F5-6 RIGHT LOWER BAGGAGE FLOOR

- 75F6-1 LEFT LOWER BAGGAGE FLOOR
- 75F6-2 RIGHT CONTROL TUNNEL SIDE
- 75F6-3 LEFT CONTROL TUNNEL SIDE
- 75F6-4 CONTROL TUNNEL TOP
- 75F6-5 BAGGAGE ANGLE
- 75F6-7 BAGGAGE BACK CHANNEL

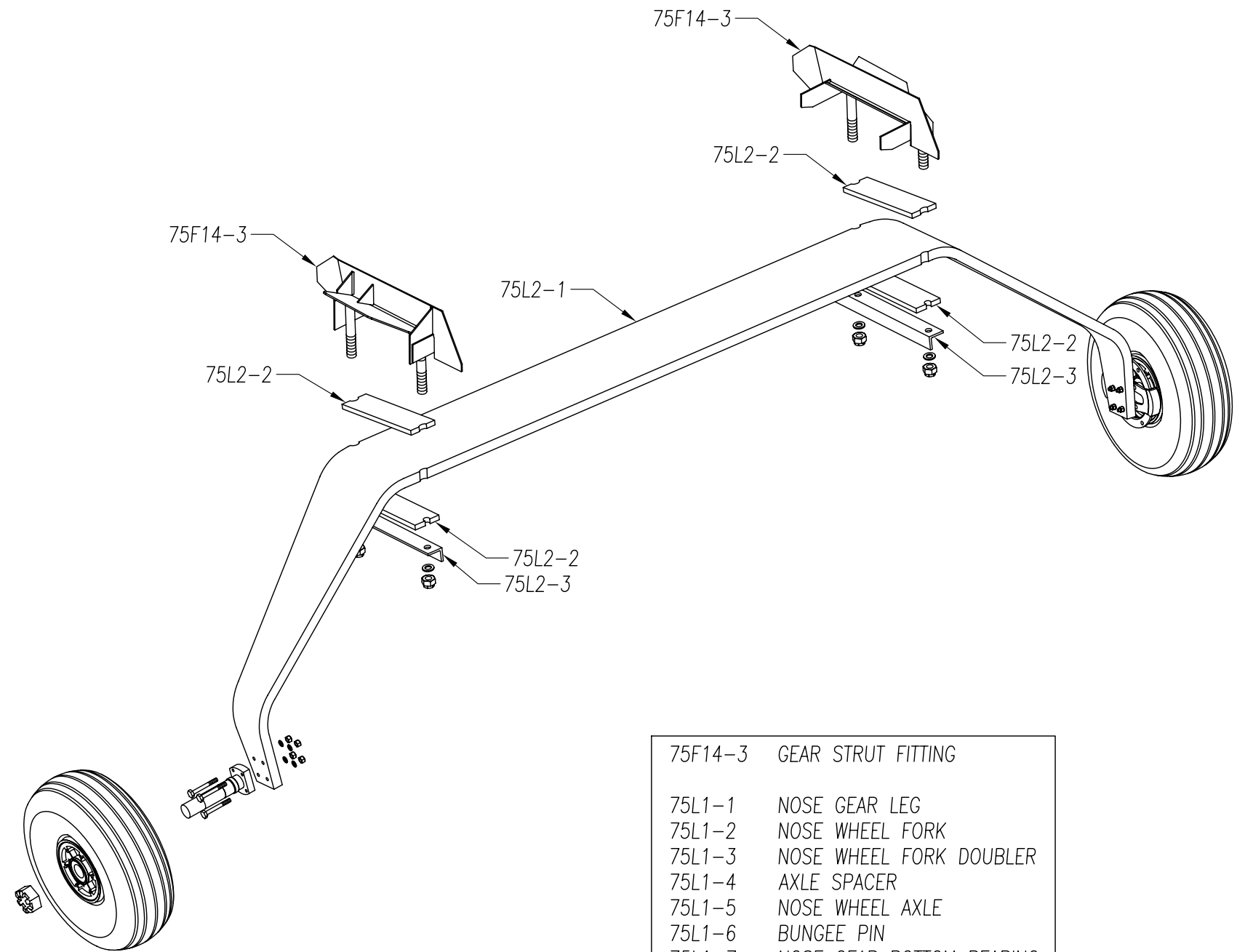
- 75Z1-5 RUDDER CABLE OUTLET FAIRING



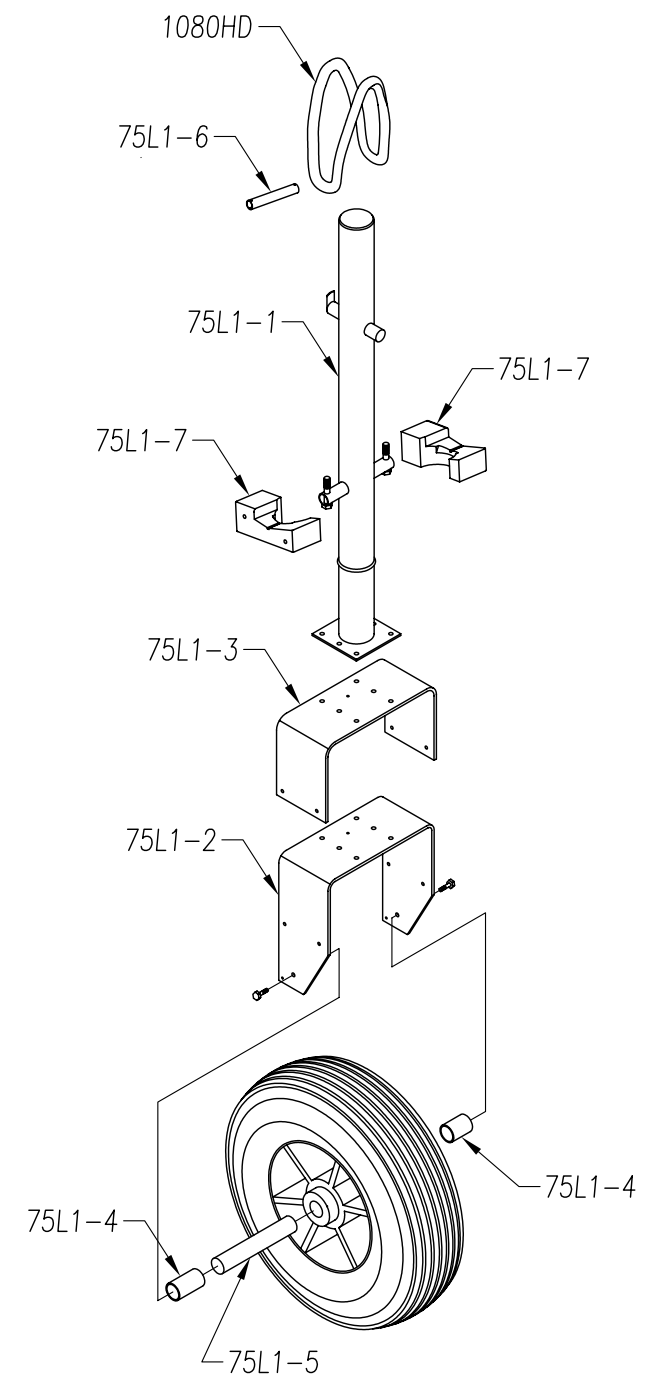
- 75F16-6 TORQUE TUBE BEARING SUPPORT
- 75C1-1 LINEAR ACTUATOR MOUNT
- 75C1-2 LINEAR ACTUATOR
- 75C1-3 LINEAR ACTUATOR CONTROL ROD
- 75C1-4 MIXER BEARING
- 75C1-5 MIXER BEARING SUPPORT
- 75C1-6 CONTROL MIXER
- 75C1-7 FLAPERON BELLCRANK
- 75C1-8 FLAPERON BELLCRANK BEARING
- 75C1-9 FLAPERON BELLCRANK BUSHING
- 75C1-10 VERTICAL FLAPERON CONTROL ROD

- 75C2-1 HORIZONTAL FLAPERON CONTROL ROD
- 75C2-2 CONTROL ROD BUSHING
- 75C2-3 REAR TORQUE TUBE BEARING
- 75C2-4 REAR TORQUE TUBE BEARING DOUBLER
- 75C2-5 TORQUE TUBE
- 75C2-6 ELEVATOR BELLCRANK
- 75C2-7 ELEVATOR CONTROL TUBE
- 75C2-8 CONTROL STICK BUSHING
- 75C2-9 STOP RING
- 75C2-10 FLAPERON CONTROL SPACER

- 75C3-1 FRONT TORQUE TUBE BEARING
- 75C3-2 CONTROL STICK
- 75C3-3 ELEVATOR CONTROL TUBE BUSHING
- 75C3-4 RUDDER PEDAL
- 75C3-5 S.S. PIANO HINGE
- 75C3-6 CENTRAL PEDAL BEARING
- 75C3-7 LATERAL PEDAL BEARING
- 75C3-8 BRAKE CYLINDER SUPPORT
- 75C3-9 TOE BRAKE PEDAL
- 75C3-10 STEERING ROD



- | | |
|---------|--------------------------|
| 75F14-3 | GEAR STRUT FITTING |
| 75L1-1 | NOSE GEAR LEG |
| 75L1-2 | NOSE WHEEL FORK |
| 75L1-3 | NOSE WHEEL FORK DOUBLER |
| 75L1-4 | AXLE SPACER |
| 75L1-5 | NOSE WHEEL AXLE |
| 75L1-6 | BUNGEE PIN |
| 75L1-7 | NOSE GEAR BOTTOM BEARING |
| 75L2-1 | TUNDRA MAIN GEAR SPRING |
| 75L2-2 | MAIN GEAR SUPPORT RUBBER |
| 75L2-3 | MAIN GEAR SUPPORT |



STOL
CH 750

LANDING GEAR
EXPLODED VIEW

75-LX-1

copyright © 2008 CHRIS HEINTZ

zenithair.com

DATE: 07/09